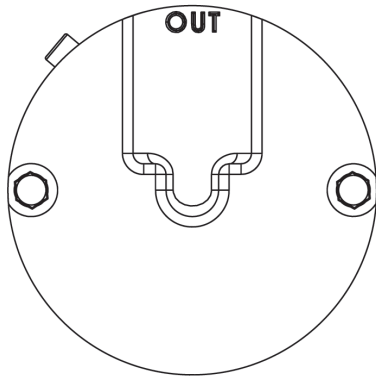


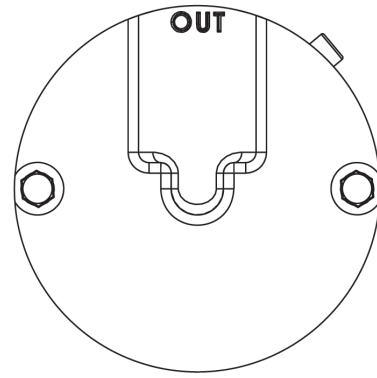
Dry Air Pump Rear End Identifiers

(Not to scale)

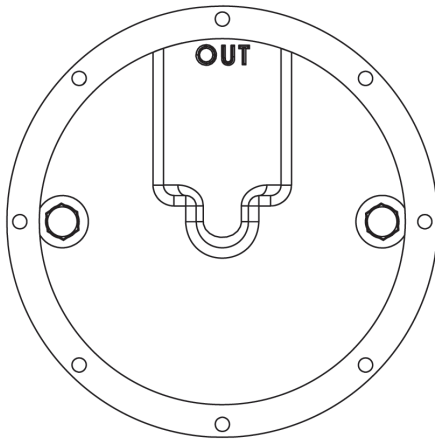
For Reference Only



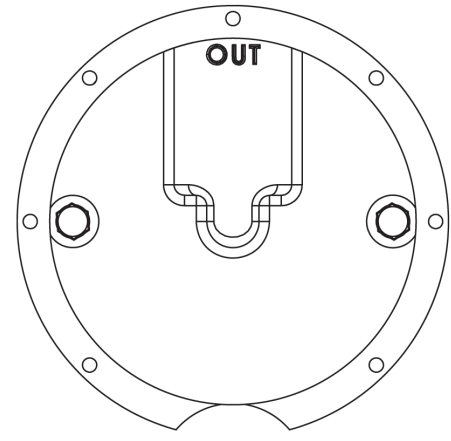
RAP215CC, 211CC, 215CC
RAP215CC-9, 215CC-9



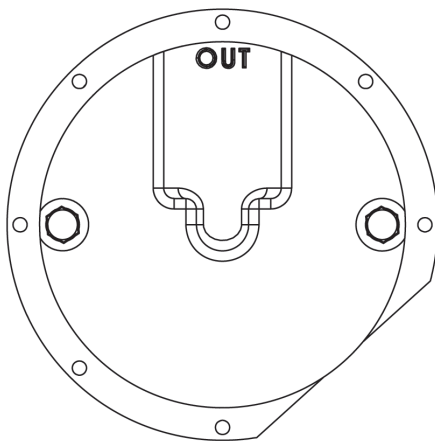
RAP216CW, & 212CW, 216CW



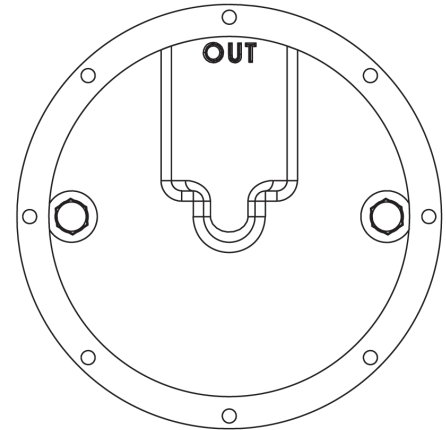
RAP241CC & 241CC



RAP241CC-13 & 241CC-13



RAP241CC-15 & 241CC-15

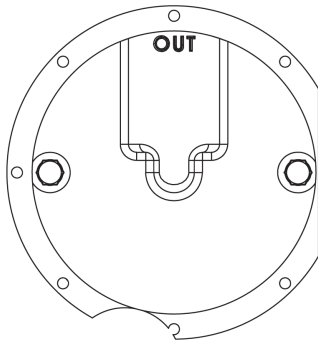


RAP242CW & 242CW

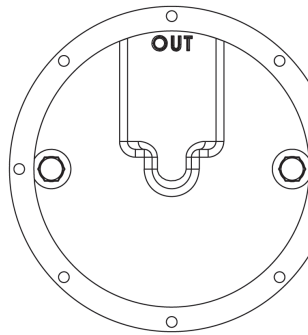
Dry Air Pump Rear End Identifiers

(Not to scale)

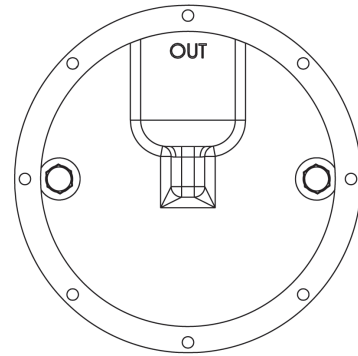
For Reference Only



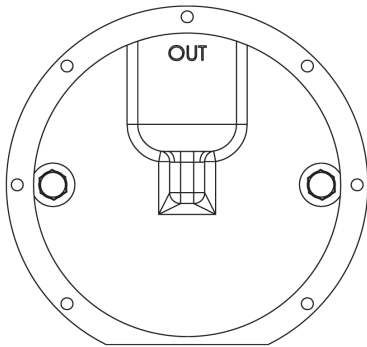
RAP242CW-4 & 242CW-4



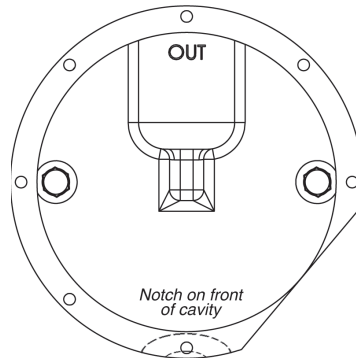
RAP242CW-10 & 242CW-10



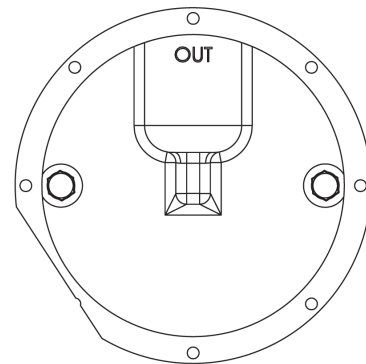
RAP441CC & 441CC



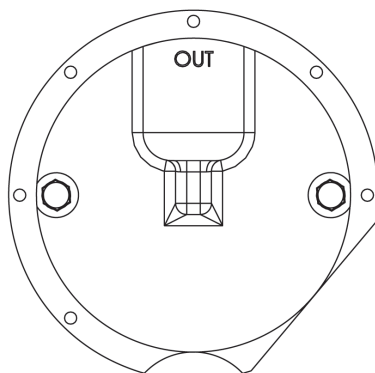
RAP441CC-3 & 441CC-3



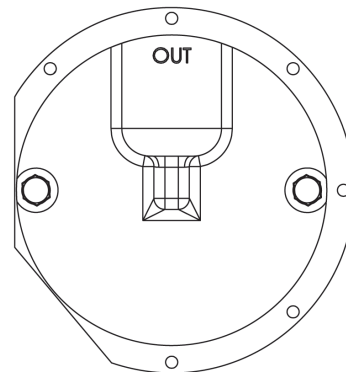
RAP441CC-7 & 441CC-7



RAP441CC-9 & 441CC-9



RAP441CC-17 & 441CC-17

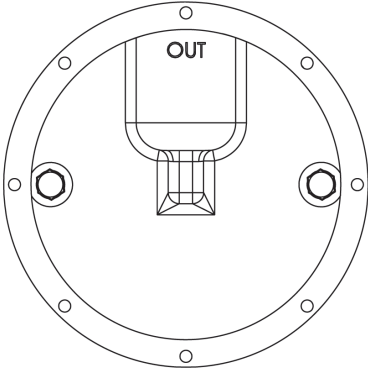


RAP441CC-23 & 441CC-23

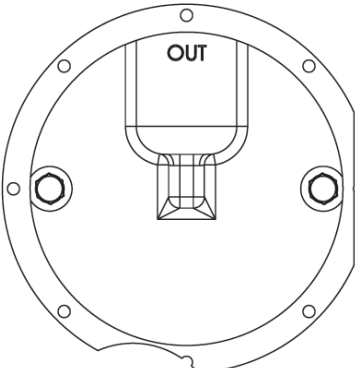
Dry Air Pump Rear End Identifiers

(Not to scale)

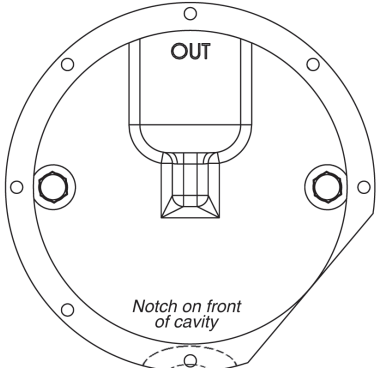
For Reference Only



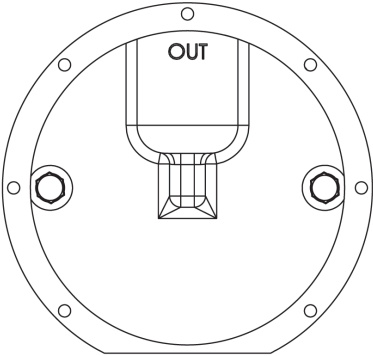
RAP442CW & 442CW



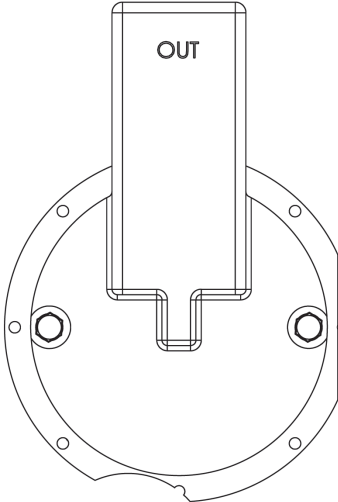
RAP442CW-4 & 442CW-4



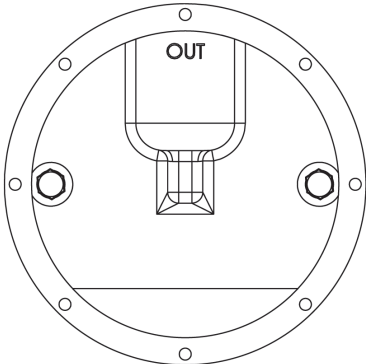
RAP442CW-6 & 442CW-6



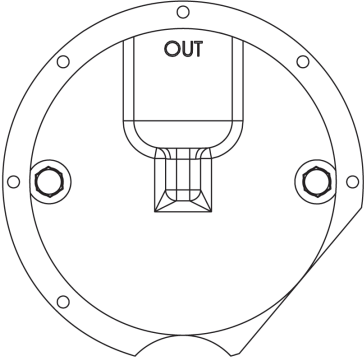
RAP442CW-8 & 442CW-8



RAP442CW-12 & 442CW-12



RAP442CW-14 & 442CW-14



RAP442CW20 & 442CW-20